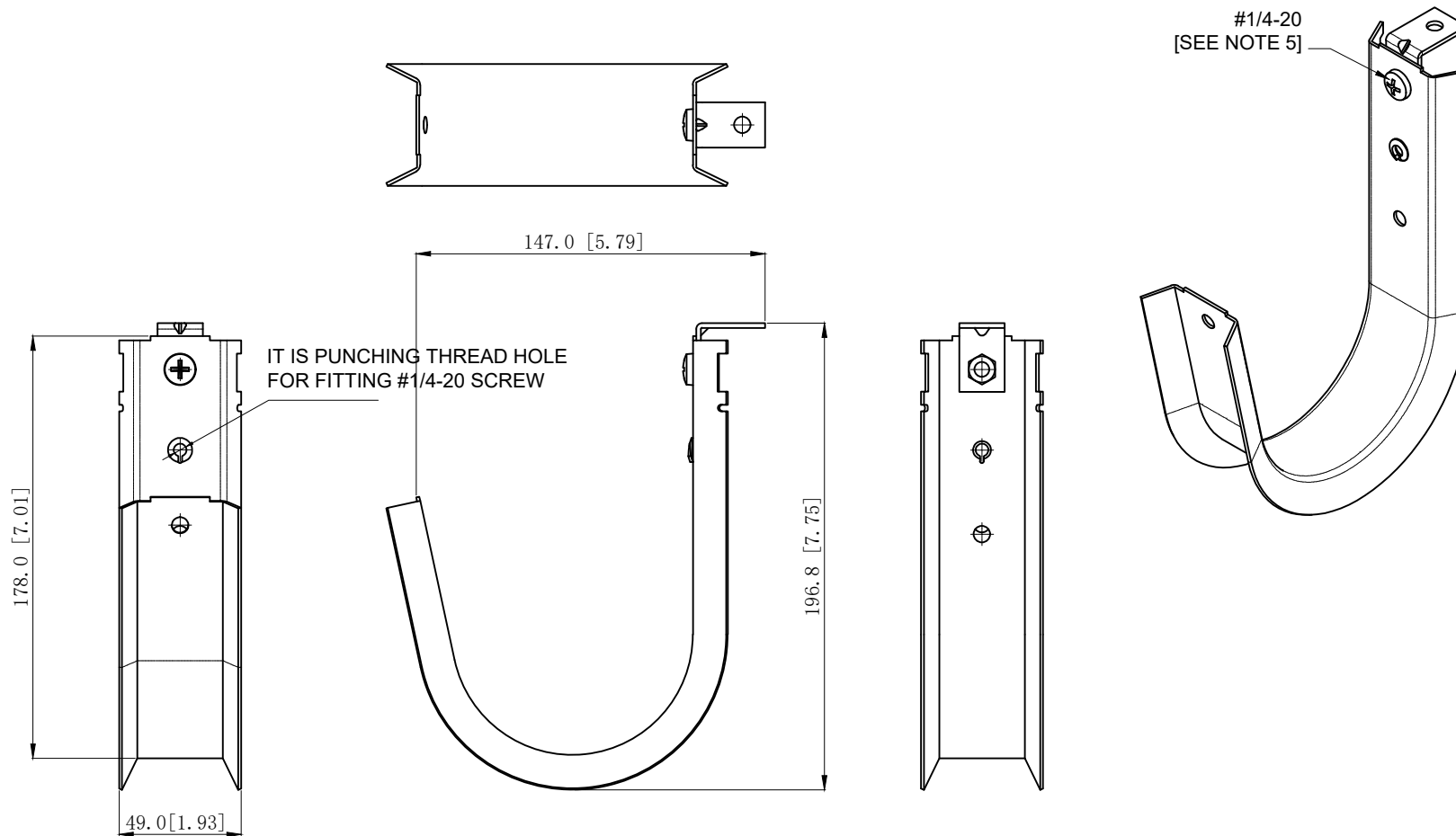


Catalog Number	B	C	ΦD	Diameter(ΦA)	Cable capacity Cat 6/Cat 5e/Fiber Optic	Static Load(F)	Standard Box Quantity
CMJH-4IN-25P	178.0 [7.01]	49.0 [1.93]	1/4"	4"	185/300/300	60LBS	25



NOTES:

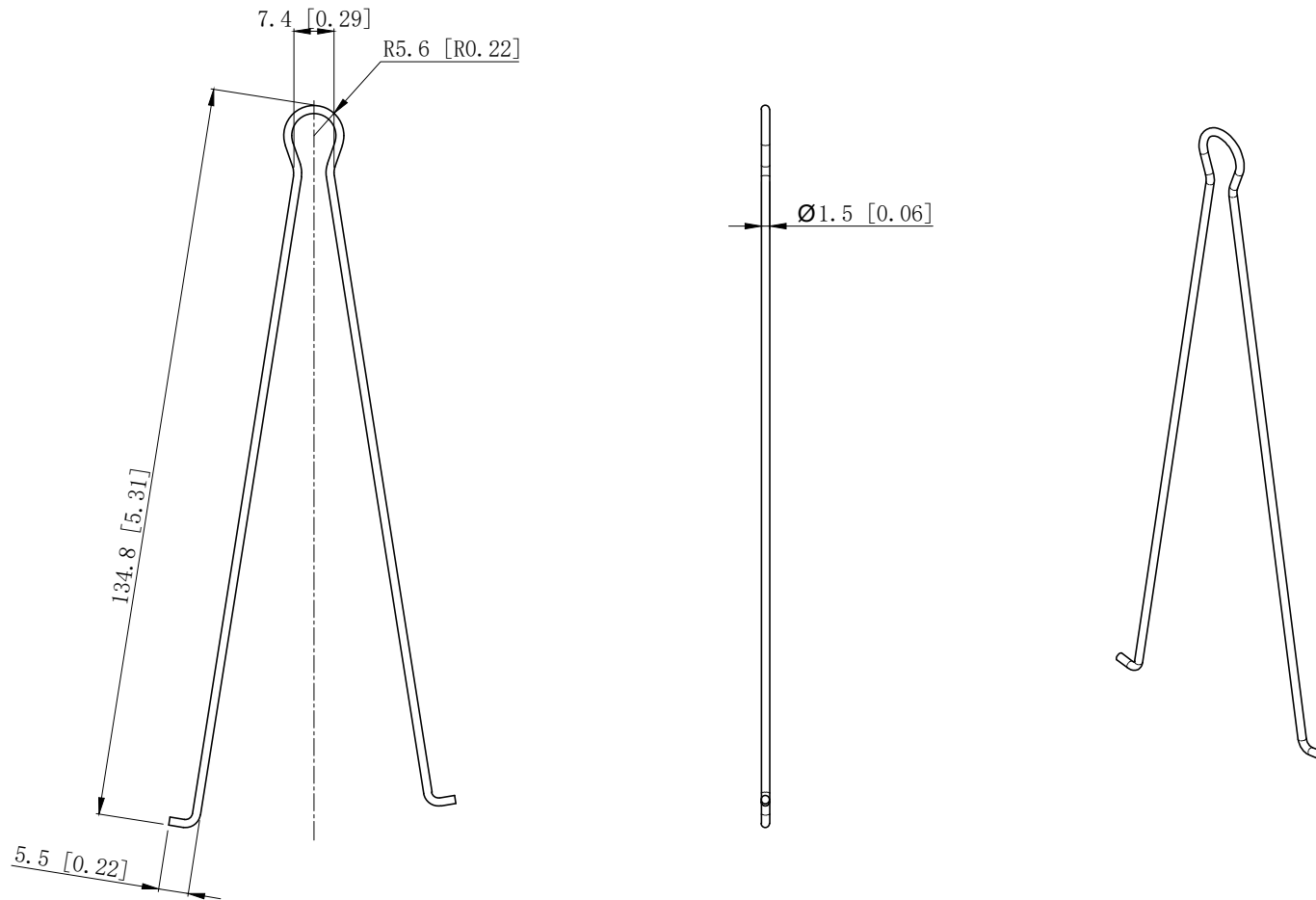
- 1.All dimensions in millimeters and [inches];
- 2.Free of sharp edge and burrs.max burr 0.127[0.005].
- 3.Material: Pre galvanized (G60) , Thickness: 1.20mm [0.047] .
- 4.Every carton need one instruction sheet, the instruction need spring front and back
- 5.1pcs #1/4-20×3/8 combo philips/slotted round head machine screw. zinc plated;
- 6.1pcs #1/4-20 nut. zinc plated.

LANshack

Sales@LANshack.com | 888-568-1230


SIZE A4	DWG NO. CMJH-4IN-25P	REV
------------	--------------------------------	-----

4" J Hook Retaining Clip



NOTES:

- 1.All dimensions in millimeters and [inches].
- 2.Free of sharp edge and burrs.max burr 0.127[0.005].
- 3.Material: Galvanized steel wire , Thickness: Ø1.50mm [0.059] .

TOLERANCES UNLESS OTHERWISE SPECIFIED		NAME		DATE		 Sales@LANshack.com 888-568-1230		
INCHES	MILLIMETER	DRAMN	YUAN	2022.8.17				
ANGULAR: X, X: ±0.1 X, X X: ±0.05 X, X X X: ±0.008	ANGULAR: X: ±2.54 X, X: ±1.27 X, X X: ±0.203	CHECKED						
MATERIAL		APPROVED (A)						
Galvanized steel wire		APPROVED (Customer)						
FINISH		CADDY	ORBIT	RACO		SIZE	DWG NO.	REV
NO OIL		-	-	-		A4	JHRC-4IN	
THIRD ANGLE PROJECTION		SCALE: 1:1		PRINT DATE	REFERENCES	SHEET 1 OF 1		

